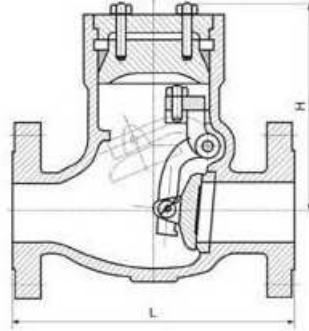
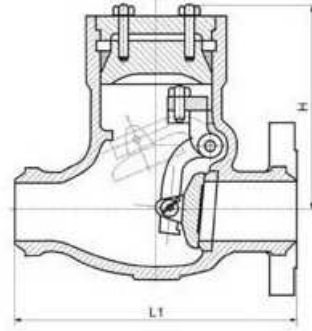




CLASS 600-2500 PRESSURE SEAL SWING CHECK VALVE



Class 600,900,1500,2500



Class 600,900,1500,2500

Features:

CLASS 600~2500 PRESSURE SEAL SWING CHECK VALVE

pressure sealing cover,swing type disc

Threaded or welded seat ring

ASTM A216 WCB,A217 Wc6,A351 Cf8,A351 CF8M,

A351 Cf3,A351 CF3M,A351 CN7M

Standards compliance

Design and Manufacture: ANSI B16.34,API 6D,BS1868

Face to face(end to end): ANSIB16.10,API 6D

Flanged connection: 2"~24" to ANSI B16.5

Butt welded end: ANSI B16.25

Test and inspection: API 598,API 6D

A.Back up ring: Absorbs thrust applied by internal pressure.



B.Thrust ring: Protects the soft metallic gasket from detemation.

C.Gasket Unique angutar design provides superior sealing.

Materials List		
NO.	Part name	Material
16	Split pin	Stainless steel
15	Washer	Stainless steel
14	Disc pin	CS/SS
13	Hinge pin	CS/SS
12	Seat ring	CS+SS/SS/SS+STL(see body materials)
11	Disc	CS+SS/SS/SS+STL(see body materials)

NO.	Part name	WCB	LCB	WC6	WC9
10	Yoke stud&nut	A193 Gr B7/A194 Gr 2H	A320 Gr L7/A194 Gr 4	A193 Gr B16/A194 Gr 4/7	A193 Gr B16/A194 Gr 4/7
09	Cover stud&nut	A193 Gr B7/A194 Gr 2H	A320 Gr L7/A194 Gr 4	A193 Gr B16/A194 Gr 4/7	A193 Gr B16/A194 Gr 4/7
08	Gasket	Soft iron	Soft iron	SS304	SS304
07	Thurst ring	A182 F6a	A182 F304	A182 F11	A182 F22
06	Back up ring	A182 F6a	A182 F304	A182 F11	A182 F22
05	Yoke	A216 Gr WCB	A352 Gr LCB	A217 Gr WC6	A217 Gr WC9
004	Hinge	A216 Gr WCB	A352 Gr LCB	A217 Gr WC6	A217 Gr WC9
03	Cover	A216 Gr WCB	A352 Gr LCB	A217 Gr WC6	A217 Gr WC9
02	Bonnet	A216 Gr WCB	A352 Gr LCB	A217 Gr WC6	A217 Gr WC9
01	Body	A216 Gr WCB	A352 Gr LCB	A217 Gr WC6	A217 Gr WC9

NO.	Part name	C5	LCB	WC6	WC9
10	Yoke stud&nut	A193 Gr B16/A194 Gr 4/7	A193 Gr B16/A194 Gr 4/7	A193 Gr B7/A194 Gr 2H	A193 Gr B7/A194 Gr 2H
09	Cover	A193 Gr B16/A194	A193 Gr B16/A194	A193 Gr B7/A194	A193 Gr B7/A194



	stud&nut	Gr 4/7	Gr 4/7	Gr 2H	Gr 2H
08	Gasket	SS304	SS304	SS304	SS316
07	Thurst ring	A182 F5	A182 F22	A182 F304	A182 F316
06	Back up ring	A182 F5	A182 F22	A182 F304	A182 F316
05	Yoke	A217 Gr C5	A217 Gr C15	A351 Gr CF8	A351 Gr CF8M
004	Hinge	A217 Gr C5	A217 Gr C15	A351 Gr CF8	A351 Gr CF8M
03	Cover	A217 Gr C5	A217 Gr C15	A351 Gr CF8	A351 Gr CF8M
02	Bonnet	A217 Gr C5	A217 Gr C15	A351 Gr CF8	A351 Gr CF8M
01	Body	A216 Gr WCB	A217 Gr C15	A351 Gr CF8	A351 Gr CF8M

CLASS 600~2500 PRESSURE SEALING SWING CHECK VALVE

Dimensions														
Class 600														
Size	inch	2	2-1/2	3	4	5	6	8	10	12	14	16	18	20
L,L1	mm	292	330	355	431	508	558	660	787	838	889	991	1092	1194
L1-SP	mm	178	216	245	304	381	457	584	711	812	889	991	1092	1194
H	mm	240	265	275	325	370	425	500	555	610	725	755	850	925
WT.(approx)	Kg	20	38	45	45	95	125	220	330	505	595	800	1150	1600

Dimensions														
Class 900														
Size	inch	2	2-1/2	3	4	5	6	8	10	12	14	16	18	
L,L1	mm	368	419	381	457	559	609	736	838	965	1029	1130	1219	
L1-SP	mm	368	254	305	355	432	508	660	787	914	991	1092	1219	
H	mm	250	580	290	335	380	440	510	570	620	730	790	860	
WT.(approx)	Kg	44	57	75	105	140	230	440	590	870	1085	1225	1700	

Dimensions														
Class 1500														
Size	inch	2	2-1/2	3	4	5	6	8	10	12	14	16		



L,L1	mm	368	419	470	546	673	705	832	991	1130	1257	1384
L1-SP	mm	216	254	305	406	483	559	711	864	991	1067	1194
H	mm	265	295	310	345	385	460	515	590	645	765	800
WT.(approx)	Kg	65	72	80	125	160	300	525	960	1130	1450	2100

Dimensions											
Class 2500											
Size	inch	2	2-1/2	3	4	5	6	8	10	12	
L,L1	mm	451	508	578	673	794	914	1022	1270	1422	
L1-SP	mm	279	330	368	457	533	610	762	914	1014	
H	mm	280	310	325	370	425	500	525	630	695	
WT.(approx)	Kg	78	95	110	205	395	495	900	1300	1950	

Gear operation suggested.Dimensions on request.Abbreviation: SP-Short pattern.